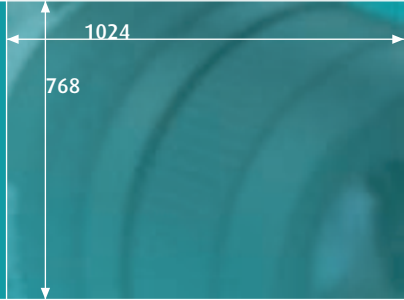
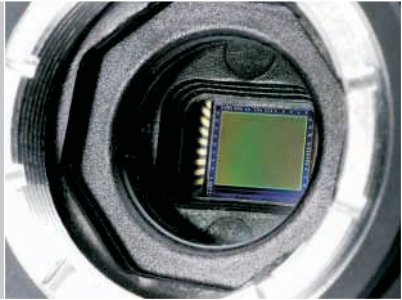




**iDS**



**Gigabit Ethernet uEye<sup>®</sup> UI-6230-C/M**

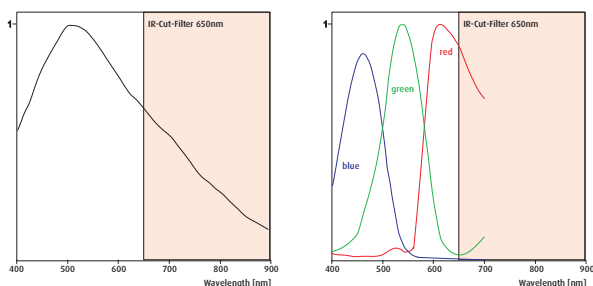
**XGA Camera with 1/3" CCD Sensor**

# Gigabit Ethernet uEye® UI-6230-M / UI-6230-C



## The Gigabit Ethernet uEye® family

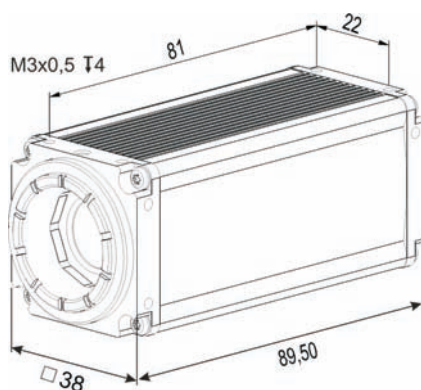
The Gigabit Ethernet uEye® extends the broad range of USB cameras by powerful models for sophisticated, complex machine vision and image processing applications. The bandwidth is 2.5 times higher than with USB and cable lengths up to 100 m are possible.



Sensor characteristics

UI-6230-M

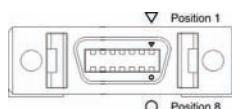
UI-6230-C



Dimensions of the Gigabit Ethernet uEye® models

### Pin assignment MDR14 Multi I/O connector

Pin Notation	Description
1	GND
2	VCC
3	TriggerGND
4	TriggerIN
5	FlashOut
6	Vext
7	GND
8	GND
9	VCC
10	GPIO1
11	GPIO2
12	RxD
13	TxD
14	GND



Power supply: 6 - 24V (12V recommended)

Connectors of the Gigabit Ethernet uEye® models

## The characteristics at a glance

Interface	Gigabit Ethernet
Sensor Technology	CCD (Sony)
Model description (color)	UI-6230-C
Model description (Mono)	UI-6230-M
Resolution (h x v)	1024 x 768
Resolution Category / Pixel Class	XGA
Sensor size	1/3"
Shutter	Global
max. fps in Freerun Mode at full resolution	30 fps
max. fps in SW Trigger Mode at 1 ms exposure	27 fps
Exposuretime in Freerun Mode	66 µs - 1 s
Exposuretime in Trigger Mode	66 µs - 10 min
AOI Modes	H + V <sup>2</sup>
AOI with 320 x 240 Pixels (CIF)	78 fps
Subsampling Modes	-
Subsampling Factors	-
Resolution, fps	-
Binning Modes	V <sup>2</sup> (Mono)
Binning Method	V: Sum
Binning Factors	x2, x4
Resolution, fps	1024 x 384, 53 fps 1024 x 192, 85 fps
Mono: Maximum Gain	10,4x
Color: Maximum Gain RGB/Master	4x /7,5x
Additional Gain Boost with Factor	2x (Mono)
Sensor Model	ICX204
Pixel Clock	5 - 30 MHz
Pixelpitch in µm	4,65
Full Well Capacity	12.000 e-
Optical Size	4,76 x 3,57 mm
Aspect Ratio	4:3
Exact Real Diagonal	6,0 mm, 1/2,7"

### In scope of delivery:

Powerful, easy to handle uEye SDK  
uEye Demo and Programexamples  
executable and Source Code.  
uEye Camera Manager  
TWAIN, Active-X and Direct Show  
(WDM) drivers  
Interfaces for Activision Tools,  
Common Vision Blox, HALCON,  
LabVIEW and Neurocheck  
GenICam™ Interface<sup>2</sup>

<sup>2</sup> = Use increases frame rate

<sup>\*</sup> = in preparation (end of 2007)

Driver for Windows 2000<sup>\*</sup>, XP, VISTA<sup>\*</sup>  
and Linux<sup>\*</sup>

