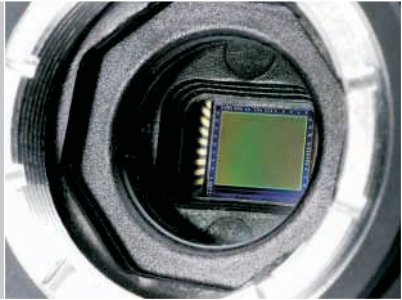




iDS



Gigabit Ethernet uEye[®] UI-6220-C/M

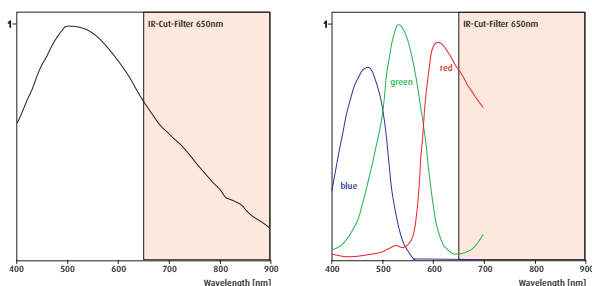
CCIR Camera with 1/2" CCD Sensor

Gigabit Ethernet uEye® UI-6220-M / UI-6220-C



The Gigabit Ethernet uEye® family

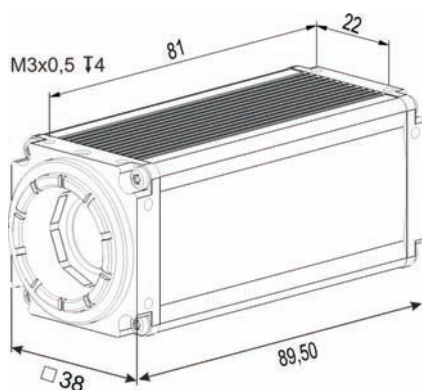
The Gigabit Ethernet uEye® extends the broad range of USB cameras by powerful models for sophisticated, complex machine vision and image processing applications. The bandwidth is 2.5 times higher than with USB and cable lengths up to 100 m are possible.



Sensor characteristics

UI-6220-M

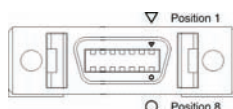
UI-6220-C



Dimensions of the Gigabit Ethernet uEye® models

Pin assignment MDR14 Multi I/O connector

Pin Notation	Description
1	GND
2	VCC
3	TriggerGND
4	TriggerIN
5	FlashOut
6	Vext
7	GND
8	GND
9	VCC
10	GPIO1
11	GPIO2
12	RxD
13	TxD
14	GND



Power supply: 6 - 24V (12V recommended)

Connectors of the Gigabit Ethernet uEye® models

The characteristics at a glance

Interface	Gigabit Ethernet
Sensor Technology	CCD (Sony)
Model description (color)	UI-6220-C
Model description (Mono)	UI-6220-M
Resolution (h x v)	768 x 576
Resolution Category / Pixel Class	CCIR
Sensor size	1/2"
Shutter	Global
max. fps in Freerun Mode at full resolution	52 fps
max. fps in SW Trigger Mode at 1 ms exposure	47 fps
Exposuretime in Freerun Mode	50 µs - 770 ms
Exposuretime in Trigger Mode	50 µs - 10 min
AOI Modes	H + V ²
AOI with 320 x 240 Pixels (CIF)	97 fps
Subsampling Modes	-
Subsampling Factors	-
Resolution, fps	-
Binning Modes	V ² (Mono)
Binning Method	V: Sum
Binning Factors	x2, x4
Resolution, fps	768 x 288, 90 fps 768 x 144, 143 fps
Mono: Maximum Gain	14x
Color: Maximum Gain RGB/Master	4x /8,9x
Additional Gain Boost with Factor	2x (Mono)
Sensor Model	ICX415
Pixel Clock	5 - 30 MHz
Pixelpitch in µm	8,3
Full Well Capacity	25.000 e-
Optical Size	6,37 x 4,78 mm
Aspect Ratio	4:3
Exact Real Diagonal	8,0 mm, 1/2,0"

In scope of delivery:

Powerful, easy to handle uEye SDK
uEye Demo and Programexamples
executable and Source Code.
uEye Camera Manager
TWAIN, Active-X and Direct Show
(WDM) drivers
Interfaces for Activision Tools,
Common Vision Blox, HALCON,
LabVIEW and Neurocheck
GenICam™ Interface²

² = Use increases frame rate

^{*} = in preparation (end of 2007)

Driver for Windows 2000^{*}, XP, VISTA^{*}
and Linux^{*}

